

SP, 1 LIGHTED INSULATED BOWL, MECHANICAL CONTROL AND N-UV SANITIZING SYSTEM



SP1NUV

General Features

CRATHCO

SP, 1 LIGHTED INSULATED BOWL, MECHANICAL CONTROL AND N-UV SANITIZING SYSTEM

SP is a compact countertop machine that dispenses frozen creams, frozen desserts and other creamy specialties.

SP UV is the first and only equipment that has a n-UV LED-lighting system for sanitizing the product inside the bowl, a groundbreaking innovation in the industry. The n-UV LED-lighting system reduce bacterial proliferation, ensuring a wholesome, high-quality dispensed product.

SP1 UV has n. 1 I-Tank insulated bowl with 5 litres capacity, an elegant design and rounded shapes, stainless steel finishes and white plastics.

The bowl of SP UV is illuminated by LED lights, giving the equipment an even more attractive look, enhancing the product, increasing its visibility and encouraging impulse purchases. It works with water or milk-based powdered preparations or ready-made mixes in cartons to be poured directly into the bowl.

Easy to use and clean, all parts that come in contact with the product can be disassembled without using any tools.

SP also offers a significant ROI due to its high overrun.

The R290 natural refrigerant gas and I-Tank as standard.

Everything has been studied and designed to ensure easy and quick operations, high performances and the quality of the dispensed product: i.e. the new screw for adjusting product hardness, the hybrid consistency control, the sensor that controls the temperature in the "defrost" mode, thus avoiding sudden fluctuations that would degrade the product and compromise the final result, and the innovative n-UV sanitizing system.

SP, 1 LIGHTED INSULATED BOWL, MECHANICAL CONTROL AND N-UV SANITIZING SYSTEM

Specifications

- It is possible to customize the graphics on the front, on the lid and on the back (subject to negotiation).
- Works with water or milk/based dried products or with brik mixtures ready to be poured into the bowl.
- Perfect solution for bars, restaurants, cafeterias, coffee shops, hotels and all the other HoReCa operators who desire reliable piece of equipment.
- The machine automatically stops when the cover is opened.
- No more ice or condensation outside the tank with the insulated tank.
- Rounded shapes with stainless steel finishing and white plastics.
- The insulated tank guarantees higher cooling efficiency and lower effect of the external temperature on product's preparation and maintenance time reducing condense and draining; it is the best solution in hot climate conditions.
- New design of the screw to adjust the product consistency makes the equipment extremely user-friendly.
- Hybrid control of consistency. The integrated software allows the equipment to self-adjust to ensure that the product has always the same consistency, from the first to the last drop dispensed.
- Ideal for production of chilled specialties: creamy desserts, sorbet, mousses and similar products.
- Exclusive nUV LED system for bowl sanitation.

Construction

- Compact design.
- The patented I-Tank insulated bowl reduces the impact of ambient temperature on the product, improving its cooling efficiency and guaranteeing energy and cost savings.
- Exclusive n-UV LED system for bowl sanitation that reduces bacterial proliferation, ensuring a wholesome, high quality dispensed product.

SP, 1 LIGHTED INSULATED BOWL, MECHANICAL CONTROL AND N-UV SANITIZING SYSTEM

CRATHCO

www.crathco.drink-systems.com
infocrathco@electroluxprofessional.com

SP, 1 LIGHTED INSULATED BOWL, MECHANICAL CONTROL AND N-UV SANITIZING SYSTEM

Electric

Supply voltage:	220-240 V / 1 ph / 50 Hz
Electrical power max.:	0.31 kW
Current consumption:	2.2 Amps
Plug type:	CE-SCHUKO

Key Information:

Number of bowls:	1
Bowl's capacity:	5 lt
Control board:	Mechanical
Dimensions, Width:	262 mm
Dimensions, Depth:	427 mm
Dimensions, Height:	612 mm
Net weight:	28 kg

Refrigeration Data

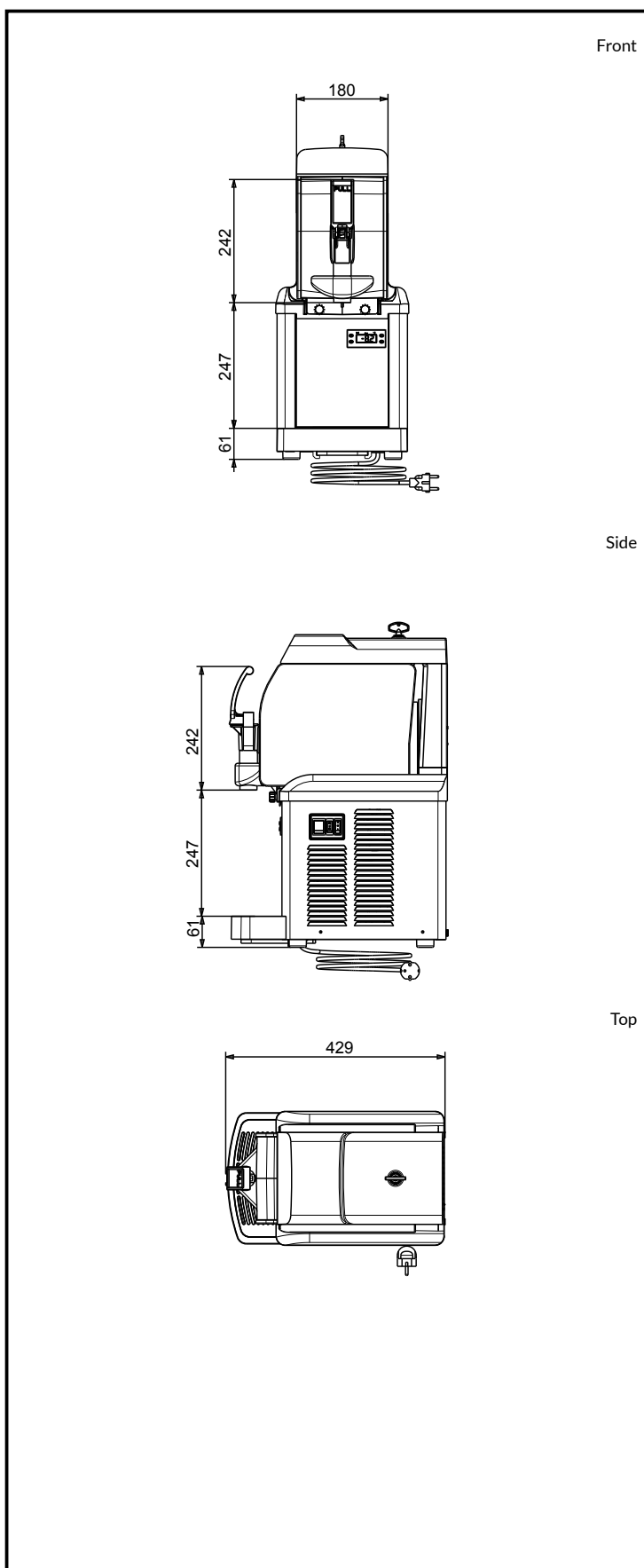
Refrigerant gas:	R290
------------------	------

Certifications



The company reserves the right to make modifications to the products without prior notice. All information correct at time of printing.

2026.03.31



CRATHCO

www.crathco.drink-systems.com
infocrathco@electroluxprofessional.com